

INDUCTIVE SENSOR



Series ISIP

Key-Features:

- Measurement range 0...7 mm
- Analog Output: 4...20mA
- Linearity ± 0.35 mm
- Resolution of 0.005 mm
- Temperature range: -40...+70 °C
- Protection class up to IP69K
- Stainless steel housing
- Cylindrical housing with outer thread
- Measurement on metallic objects

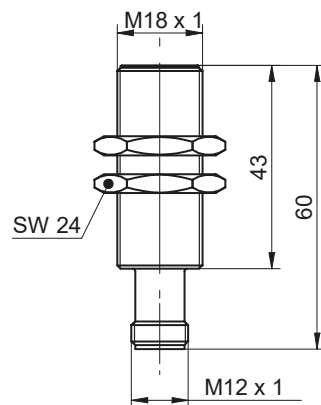
Content:

Technical Data2
Technical Drawing2
Electrical Connection2
Mounting of the Sensor3
Models3
Accessories3

TECHNICAL DATA

Measurement range	[mm]	0...7
Linearity	[mm]	±0.35
Resolution	[mm]	static: < 0.005, dynamic: < 0.01
Repeatability	[mm]	< 0.015
Response time	[ms]	< 2
Output signal	[mA]	4...20
Power supply	[VDC]	15...30
Current consumption max. (without load)	[mA]	40
Load resistance	[Ω]	330...1000
Short circuit protection		yes
Reverse polarity protection		yes
Protection class		IP68 / IP69K
Operating temperature	[°C]	-40...+70
Cleaning temperature	[°C]	+70...+85 (30 min / day)
Temperature drift max.	[%]	±10
Vibration resistance		EN 61373:2010 (category 3), 5 h per axis (14.4 gRMS, 10...500 Hz, EN 60068-2-64)
Shock resistance		EN 61373:2010 (category 3), 10 bumps per axis (100 g, 6 ms, EN 60068-2-27)
Optimal mounting		quasi-flush
Material		housing: stainless steel 1.4404 (V4A), sensing face: LCP
Connection		connector M12, 4 pins
Tightening torque max.	[Nm]	55

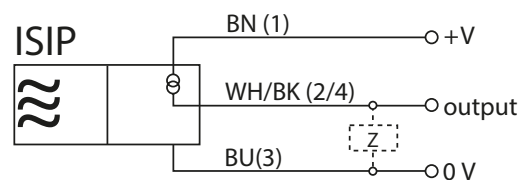
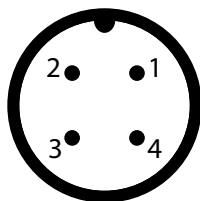
TECHNICAL DRAWING



ELECTRICAL CONNECTION

Connector M12, male, 4 pins

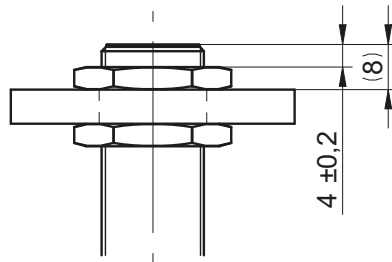
Pin	Signal
1	+V
2	Output
3	GND
4	Output



Disconnect power before connecting the sensor.

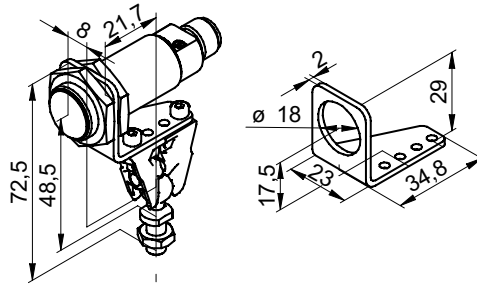
MOUNTING OF THE SENSOR

Recommended setup for optimal measurement results



An installation that deviates from this recommendation can considerably influence the measurement results.

Mounting set ISMZ-M18



MODELS

ISIP-7-M18-420A-SA12 range 0...7 mm, output 4...20 mA

ACCESSORIES

Cable with connector (female) M12, 4 poles, shielded

K4P2M-S-M12 2 m, straight connector

K4P5M-S-M12 5 m, straight connector

K4P10M-S-M12 10 m, straight connector

Cable with connector (female) M12, 4 poles, shielded

K4P2M-SW-M12 2 m, angular connector

K4P5M-SW-M12 5 m, angular connector

K4P10M-SW-M12 10 m, angular connector

Outdoor cable with connector (female) M12, 4 poles, shielded, IP65/IP67/IP68/IP69K

K4P10M-F-PEX-M12 10 m, straight connector

Mounting set (clamps, ball pivot, mounting panel)

ISMZ-M18 Mounting set for sensors with M18 thread

Digital displays

WAY-AX-S 2 channel, power supply 18...30 VDC

WAY-AX-S-AC 2 channel, power supply 115...230 VAC

For more information and options please refer to the [WAY-AX data sheet](#).

Subject to change without prior notice.

WayCon Positionsmesstechnik GmbH

Email: info@waycon.de

Internet: www.waycon.biz

WayCon
Positionsmesstechnik

Headquarters Munich

Siemensstr. 5

85521 Ottobrunn

Tel. +49 (0)89 67 97 13-0

Office Cologne

Auf der Pehle 1

50321 Brühl

Tel. +49 (0)89 67 97 13-100