

LINEARPOTI

Linearpotentiometer, Cylindrical Housing



Series LZW1

- **Flexible mounting with brackets, bearings or flanges**
- **Range 25 - 150 mm**
- **Protection IP 60**
- **Displacement speed <math><10\text{ m/s}</math>**
- **Linearity $\pm 0,05\%$**
- **Infinite resolution**
- **Working temperature $-30\dots+100^{\circ}\text{C}$**
- **Lifetime $>25 \times 10^6$ meters or 100×10^6 cycles**
- **Electrical Connection
3-core shielded cable**

Technical data

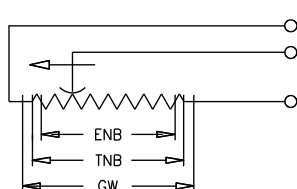
range	25/50/75/100/125/150 mm	max. supply voltage	see table
protection	IP 60	temp. coeff. of the resistance	-200 ±200 ppm/°C
displacement speed	<10 m/s	eff. temp. coeff. of output voltage.	<1,5 ppm/°C
displacement force	<0,5 N	electrical isolation	>100 MOhm at 500 V
linearity	see table	dielectric strength	>500 Veff bei 50 Hz
resolution	unendlich	working temperature	-30...+100°C
tolerance on resistance	±20%	storage temperature	-50...+120°C
recommended curser current	<1 µA	rod material	stainless steel AISI 431
max. curser current	<10 mA	case material	anodised aluminium, nylon 66 GV 30
max. dissipation at 40°C	see table	fixing	LWZ1-S bracket LWZ1-A bearing LWZ1-F flange

Dimension and electrical data

range		25	50	75	100	125	150
electrical stroke (ENB) +1/-0	mm	25	50	75	100	125	150
theoretical electr. stroke (TNB) ±1	mm	ENB + 1					
resistance	kOhm	1	2	3	4	5	6
linearity	±%	0,2	0,1	0,1	0,1	0,05	0,05
max. dissipation at 40°C (0 W at 120°C)	W	0,5	1	1,5	2	2,5	3
max. power supply	V	20	40	60			
mechanical stroke (MH)	mm	ENB + 5					
case length (A) LZW1-S	mm	74,5	99,5	124,5	149,5	174,5	199,5
case length (A) LZW1-A	mm	102	127	152	177	202	227
case length (A) LZW1-F	mm	74,5	99,5	124,5	149,5	174,5	199,5
recommended distance of brackets (B)	mm	42	67	92	117	142	167
min.distance of bearings (C)	mm	153	178	203	228	253	278
weight LZW1-S	g	45	55	65	75	85	95
weight LZW1-A	g	70	80	90	100	110	120
weight LZW1-F	g	60	70	80	90	100	110

connection

connector cable output

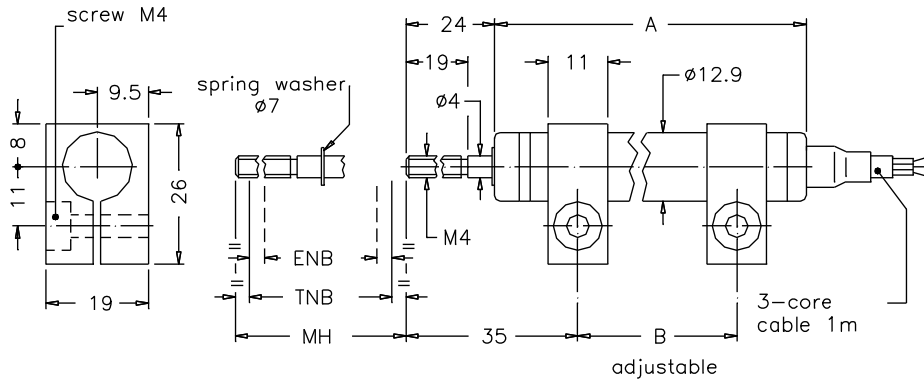


3 (+) blue
2 yellow
1 (-) brown

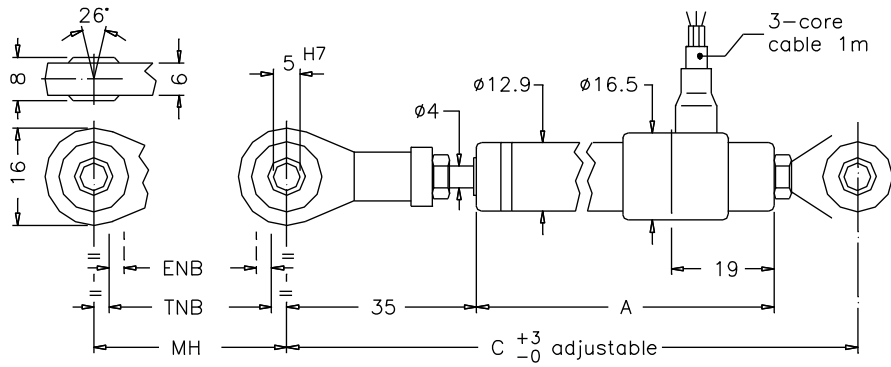
connection side

Dimensions

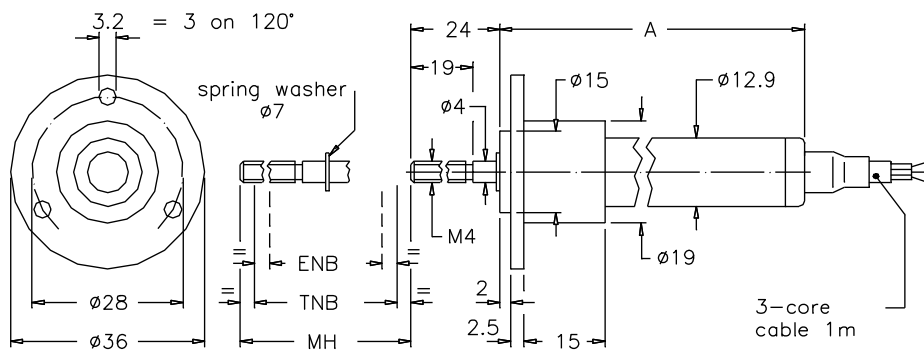
LZW1-S brackets



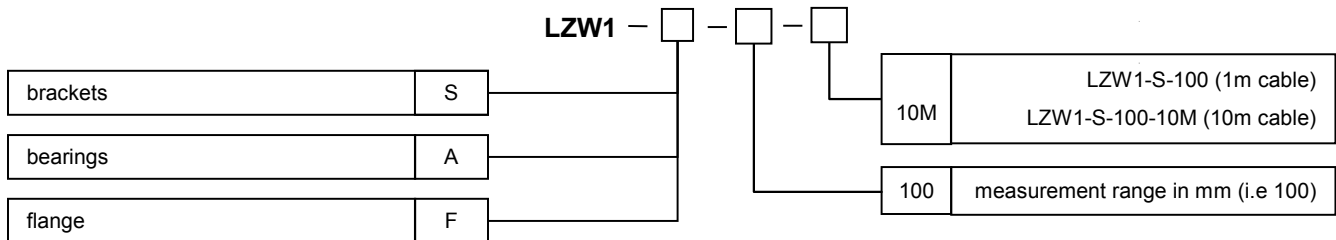
LZW1-A bearings



LZW1-F flange



Order Code



These data can be changed without any advance notice

WayCon Positionsmesstechnik GmbH

e-mail: info@waycon.de
internet: www.waycon.de



Head Office

Mehlbeerenstraße 4
82024 Taufkirchen
Tel. +49 (0)89 67 97 13-0
Fax +49 (0)89 67 97 13-250

Office Brühl

Auf der Pehle 1
50321 Brühl
Tel. +49 (0)2232 567944
Fax +49 (0)2232 567945