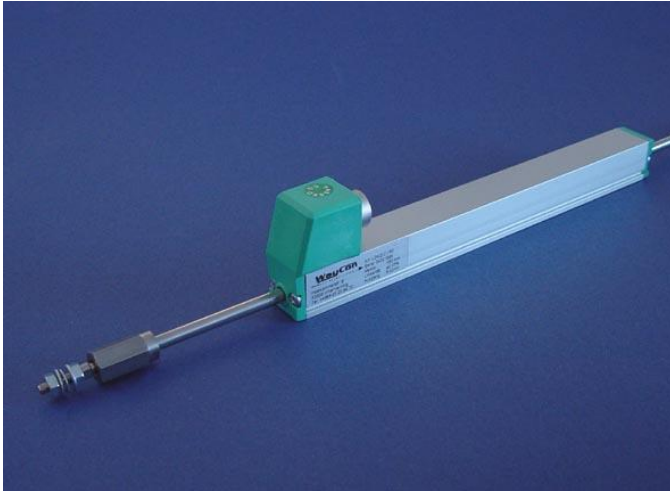


# LINEARPOTI

## *Linearpotentiometer, Rectangular Housing*

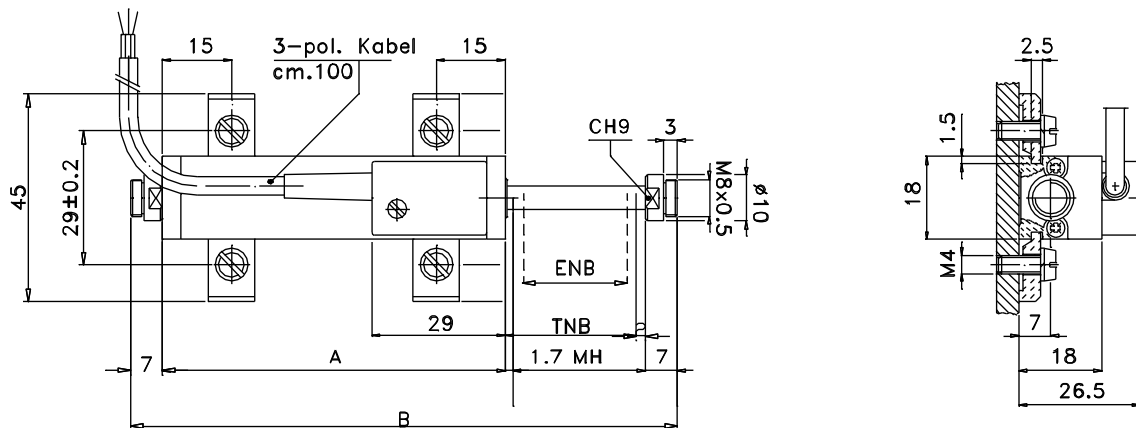


### **Series LRW1**

- **Rectangular Displacement Transducer, Thread: M4**
- **Range 25 - 150 mm**
- **Protection IP 40**
- **Displacement speed <10 m/s**
- **Linearity up to  $\pm 0,05\%$**
- **Infinite resolution**
- **Working temperature -30...+100°C**
- **Lifetime >100x10<sup>6</sup> cycles**
- **Electrical Connection**  
**3-core shielded cable**  
**5-pin circular connector**

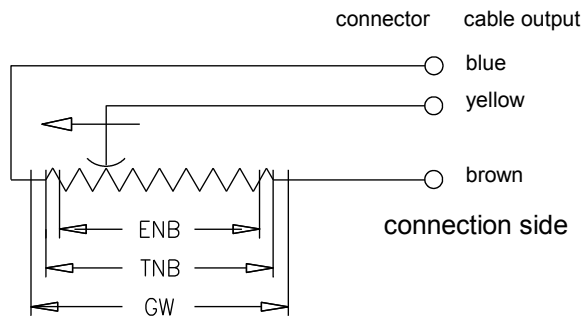


**Dimensions**

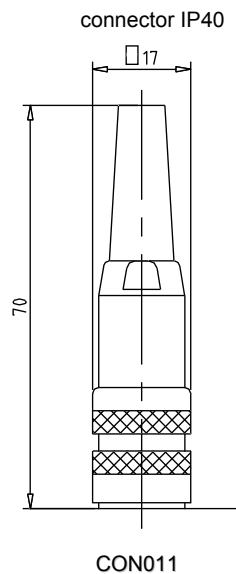


**Connection and Accessories**

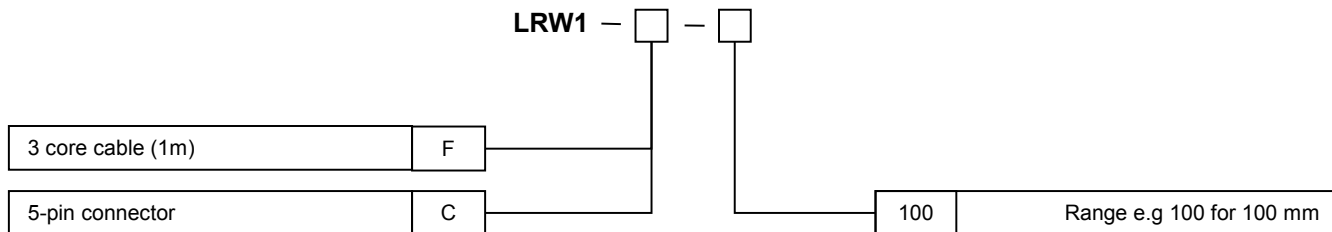
**Electrical connection**



**Accessories**



**Order Code**



## LRW1-F cable output

## LRW1-C 5-pin connector

### Options and Accessories

|                                                                          |         |          |
|--------------------------------------------------------------------------|---------|----------|
| <b>3 core cable, PVC<br/>per additional meter</b>                        | 10M     |          |
| <b>5-pin connector IP 40</b>                                             | CON011  |          |
| <b>Mount accessories<br/>4 brackets, M4X10, screws,<br/>fixing rings</b> | PKIT005 | standard |
| <b>Bearing coupling</b>                                                  | PKIT020 | standard |

These data can be changed without any advance notice

#### WayCon Positionsmesstechnik GmbH

e-mail: [info@waycon.de](mailto:info@waycon.de)  
internet: [www.waycon.de](http://www.waycon.de)

**WayCon**  
Positionsmesstechnik

#### Head Office

Mehlbeerenstraße 4  
82024 Taufkirchen  
Tel. +49 (0)89 67 97 13-0  
Fax +49 (0)89 67 97 13-250

#### Office Brühl

Auf der Pehle 1  
50321 Brühl  
Tel. +49 (0)2232 567944  
Fax +49 (0)2232 567945