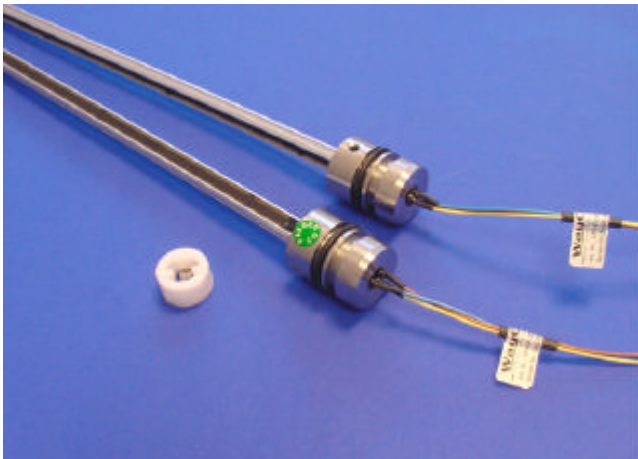


LINEARPOTI

Linearpotentiometer, hydraulic cylinders



*Series
LEH*

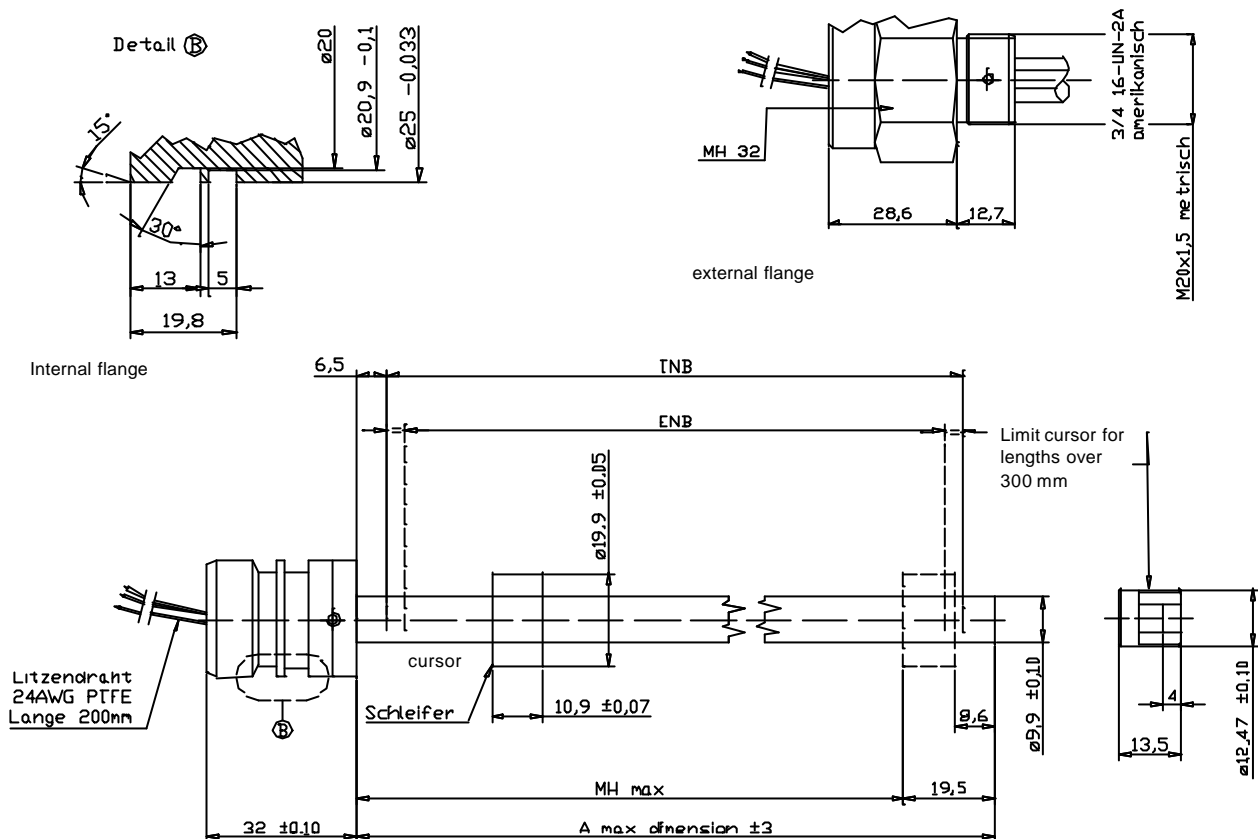
- *for hydraulic cylinders, up to 340 bar*
- *ranges 100 - 550 mm*
- *linearity up to $\pm 0,1\%$*
- *displacement speed < 1.5 m/s*
- *infinite resolution*
- *working temperature $-30...+100^{\circ}\text{C}$*
- *Lebensdauer $> 100 \times 10^6$ Hübe*
- *electrical connection*
3-core shielded cable
6-pin circular connector

Technical Data

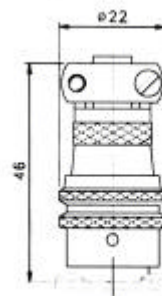
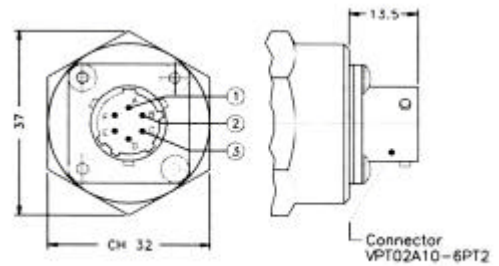
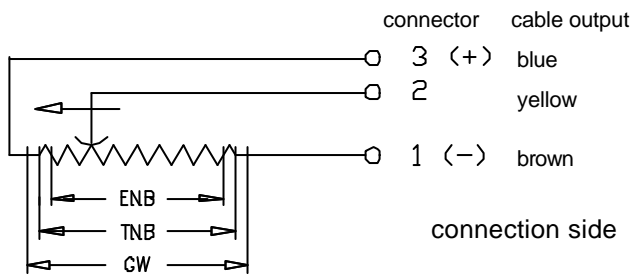
range	100/150/200/300/350 500/550 mm	max. supply voltage	60 V
displacement speed	<1,5 m/s	temp. coeff. of the resistance	-200 ±200 ppm/°C
displacement force	<1 N	eff. temp. coeff. of output voltage	<1,5 ppm/°C
linearity	±0,1%	electrical isolation	>100 MOhm at 500 V
resolution	infinite	dielectric strength	>500 Veff at 50 Hz
tolerance on resistance	±20%	working temperature	-30...+100°C
recommended cursor current	<1 µA	storage temperature	-50...+120°C
max. cursor current	<10 mA	stem material	anodised material
max. dissipation at 40°C	3 W	flange material	stainless steel AISI 304
		fixing	internal or external flange

Dimensions and Electrical Data

range		100	150	200	300	350	500	550
electrical stroke (ENB) ±1	mm	104	154	204	304	354	504	554
theoretical electrical stroke (TNB) ±1	mm	110	160	210	310	360	510	560
resistance	kOhm	10	10	10	10	10	10	10
mechanical stroke (MH)	mm	104	154	204	304	354	504	554
case length (A)	mm	123,5	173,5	223,5	323,5	373,5	523,5	573,5

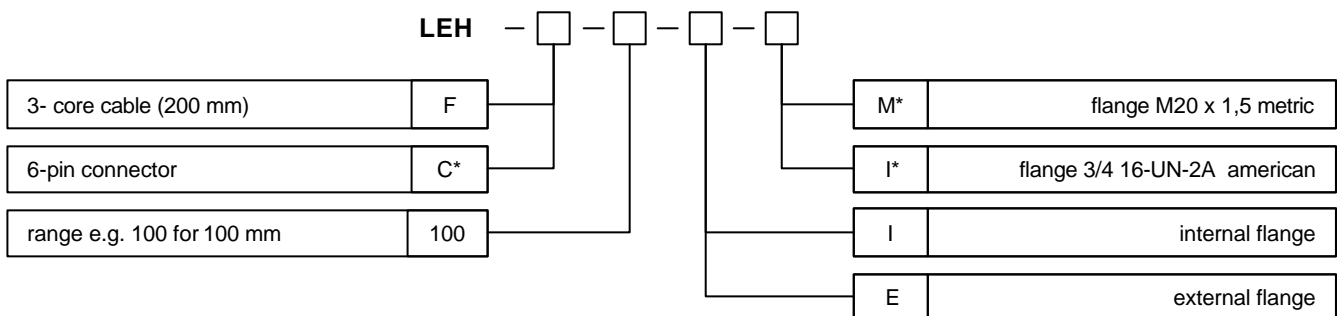


Connection and Accessories



CON300
connector IP66

Order Code



* Note: only available with external flange

We reserve the right to alter the specification without prior notice

Price List

100 mm	LEH-F-100-I	188 €
150 mm	LEH-F-150-I	194 €
200 mm	LEH-F-200-I	198 €
300 mm	LEH-F-300-I	215 €
350 mm	LEH-F-350-I	220 €
500 mm	LEH-F-500-I	230 €
550 mm	LEH-F-550-I	236 €

Optional

external flange with cable output	LEH-F-XXX-E	16 €
		32 €
connector output (only with external Flange)	LEH-C-XXX-E	34 €
6-pin connector	CON300	

WayCon Positionsmesstechnik GmbH

e-mail: info@waycon.de

internet: www.waycon.de



Positionsmesstechnik

Head Office

Inselkammerstr. 8

82008 Unterhaching

Tel. +49 (0)89 61 20 84 70

Fax +49 (0)89 61 20 84 83

Office Köln

Alte Fischenicher Str. 46

50997 Köln

Tel. +49 (0)2232 96 58 03

Fax +49 (0)2232 96 58 05
