

LINEARPOTI

Linearpotentiometer, Cylindrical Housing



Series LZW2

- **Flexible mounting with brackets, bearings or flanges**
- **Range 25 - 250 mm**
- **Protection IP 60**
- **Displacement speed <math><10\text{ m/s}</math>**
- **Linearity $\pm 0,05\%$**
- **Infinite resolution**
- **Working temperature $-30\dots+100^{\circ}\text{C}$**
- **Lifetime $>25 \times 10^6$ meters or 100×10^6 cycles**
- **Electrical Connection
3-core shielded cable**

Technical data

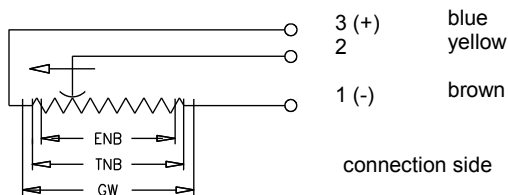
range	25/50/75/100/125/150/200/250 mm	max. supply voltage	see table
protection	IP 60	temp. coeff. of the resistance	-200 ±200 ppm/°C
displacement speed	<10 m/s	eff. temp. coeff. of output voltage.	<1,5 ppm/°C
displacement force	<0,5 N	electrical isolation	>100 MOhm at 500 V
linearity	see table	dielectric strength	>500 Veff bei 50 Hz
resolution	unendlich	working temperature	-30...+100°C
tolerance on resistance	±20%	storage temperature	-50...+120°C
recommended curser current	<1 µA	rod material	stainless steel AISI 431
max. curser current	<10 mA	case material	anodised aluminium, nylon 66 GV 30
max. dissipation at 40°C	see table	fixing	LWZ2-S bracket LWZ2-A bearing LWZ2-F flange

Dimension and Electrical Data

range		25	50	75	100	125	150	200	250
electrical stroke (ENB) +1/-0	mm	25	50	75	100	125	150	200	250
theoretical electr. stroke (TNB) ±1	mm	ENB + 1							
resistance	kOhm	1	2	3	4	5	6	8	10
linearity	±%	0,2	0,1	0,1	0,1	0,05	0,05	0,05	0,05
max. dissipation at 40°C (0 W at 120°C)	W	0,8	1,6	2,6	3				
max. power supply	V	20	40	60					
mechanical stroke (MH)	mm	ENB + 5							
case length (A) LWZ2-S	mm	83,5	108,5	133,5	158,5	183,5	208,5	258,5	308,5
case length (A) LWZ2-A	mm	110	135	160	185	210	235	285	335
case length (A) LWZ2-F	mm	83,5	108,5	133,5	158,5	183,5	208,5	258,5	308,5
recommended distance of brackets (B)	mm	47	72	97	122	147	172	222	272
min.distance of bearings (C)	mm	163	188	213	238	263	288	338	388
weight LWZ2-S	g	90	105	130	160	175	190	215	245
weight LWZ2-A	g	110	125	150	180	195	210	235	260
weight LWZ2-F	g	100	115	140	170	185	200	225	255

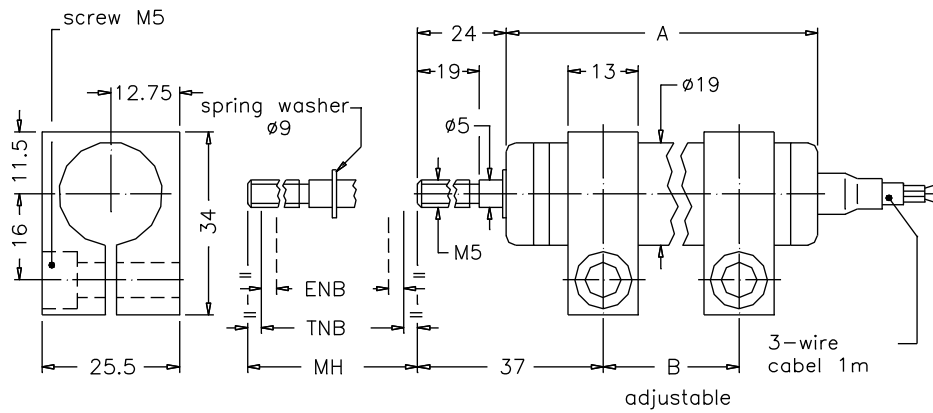
connection

connector cable output

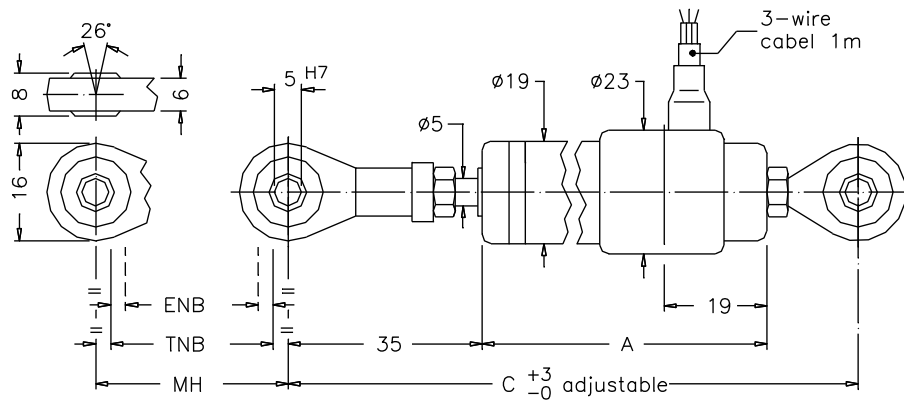


Dimensions

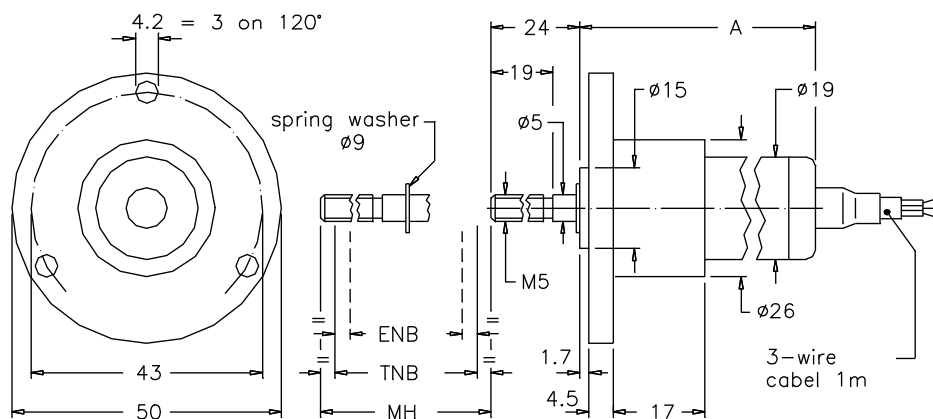
LZW2-S brackets



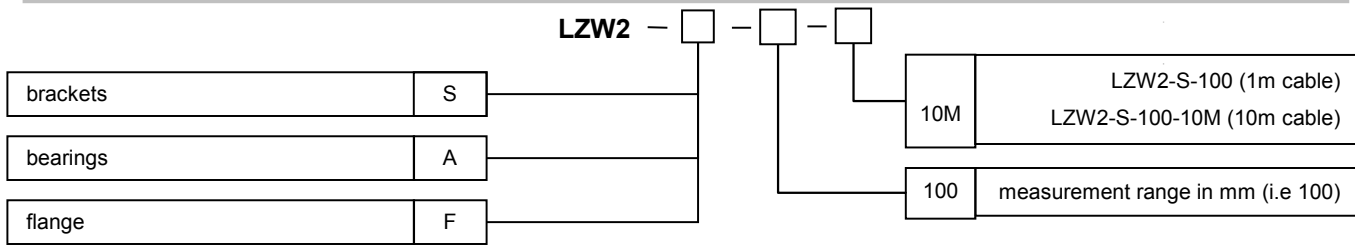
LZW2-A bearings



LZW2-F flange



Order Code



LZW2-A Bearings

LZW2-F Flange

Options and accessories

These data can be changed without any advance notice

WayCon Positionsmesstechnik GmbH

e-mail: info@waycon.de
internet: www.waycon.de

WayCon
Positionsmesstechnik

Head Office

Mehlbeerenstraße 4
82024 Taufkirchen
Tel. +49 (0)89 67 97 13-0
Fax +49 (0)89 67 97 13-250

Office Brühl

Auf der Pehle 1
50321 Brühl
Tel. +49 (0)2232 567944
Fax +49 (0)2232 567945