

# **LINEARPOTI**

## **Linearpotentiometer, Cylindrical Housing**



### **Series LZW1**

- **Flexible mounting with brackets, bearings or flanges**
- **Range 25 - 150 mm**
- **Protection IP 60**
- **Displacement speed <math><10\text{ m/s}</math>**
- **Linearity  $\pm 0,05\%$**
- **Infinite resolution**
- **Working temperature  $-30\dots+100^{\circ}\text{C}$**
- **Lifetime  $>25 \times 10^6$  meters or  $100 \times 10^6$  cycles**
- **Electrical Connection  
3-core shielded cable**

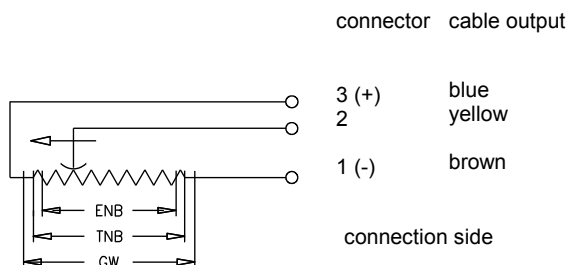
## Technical data

<b>range</b>	25/50/75/100/125/150 mm	<b>max. supply voltage</b>	see table
<b>protection</b>	IP 60	<b>temp. Coeff. Of the resistance</b>	-200 ±200 ppm/°C
<b>displacement speed</b>	<10 m/s	<b>eff. Temp. Coeff. Of output voltage.</b>	<1,5 ppm/°C
<b>displacement force</b>	<0,5 N	<b>electrical isolation</b>	>100 MOhm at 500 V
<b>linearity</b>	see table	<b>dielectric strength</b>	>500 Veff bei 50 Hz
<b>resolution</b>	unendlich	<b>working temperature</b>	-30...+100°C
<b>tolerance on resistance</b>	±20%	<b>storage temperature</b>	-50...+120°C
<b>recommended curser current</b>	<1 µA	<b>rod material</b>	stainless steel AISI 431
<b>max. curser current</b>	<10 mA	<b>case material</b>	anodised aluminium, nylon 66 GV 30
<b>max. dissipation at 40°C</b>	see table	<b>fixing</b>	LWZ1-S bracket LWZ1-A bearing LWZ1-F flange

## Dimension and electrical data

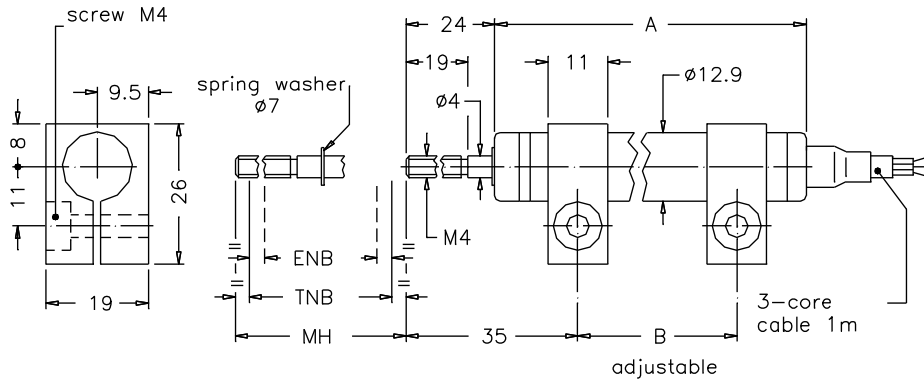
range		25	50	75	100	125	150
electrical stroke (ENB) +1/-0	mm	25	50	75	100	125	150
theoretical electr. stroke (TNB) ±1	mm	ENB + 1					
resistance	kOhm	1	2	3	4	5	6
linearity	±%	0,2	0,1	0,1	0,1	0,05	0,05
max. dissipation at 40°C (0 W at 120°C)	W	0,5	1	1,5	2	2,5	3
max. power supply	V	20	40	60			
mechanical stroke (MH)	mm	ENB + 5					
case length (A) LZW1-S	mm	74,5	99,5	124,5	149,5	174,5	199,5
case length (A) LZW1-A	mm	102	127	152	177	202	227
case length (A) LZW1-F	mm	74,5	99,5	124,5	149,5	174,5	199,5
recommended distance of brackets (B)	mm	42	67	92	117	142	167
min.distance of bearings (C)	mm	153	178	203	228	253	278
weight LZW1-S	g	45	55	65	75	85	95
weight LZW1-A	g	70	80	90	100	110	120
weight LZW1-F	g	60	70	80	90	100	110

## connection

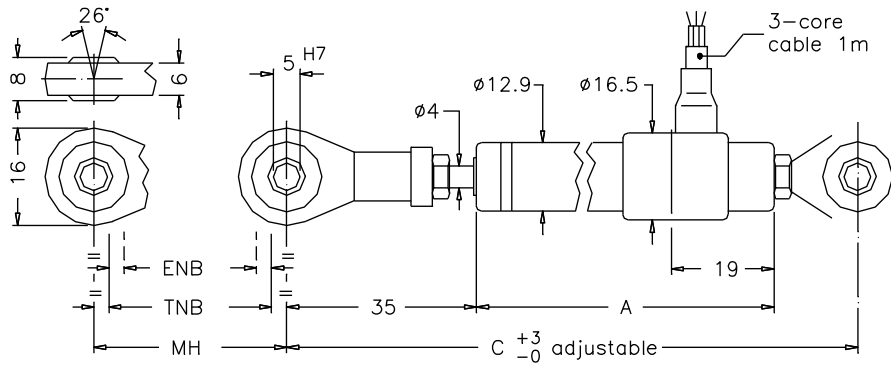


Dimensions

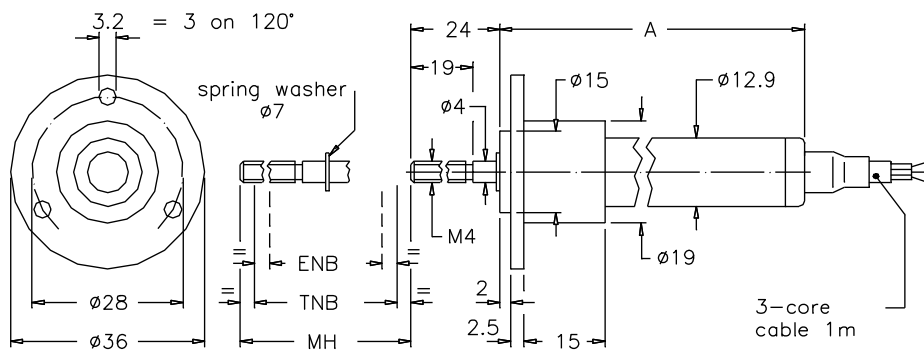
LZW1-S brackets



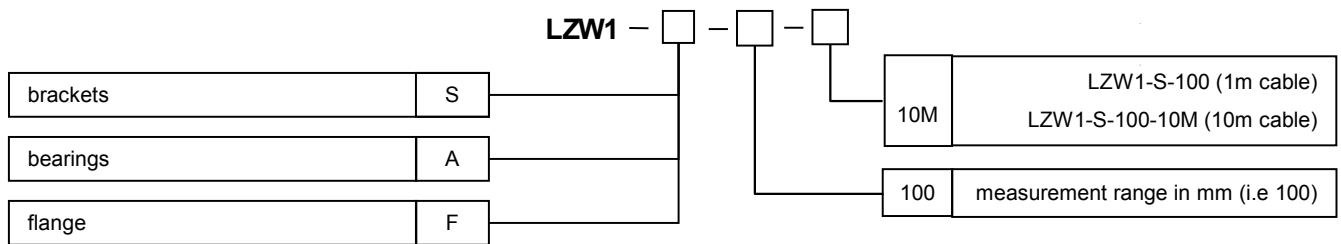
LZW1-A bearings



LZW1-F flange



**Order Code**



**Price List**

**LZW1-S brackets**

25 mm	LZW1-S-25	102 €
50 mm	LZW1-S-50	105 €
75 mm	LZW1-S-75	108 €
100 mm	LZW1-S-100	110 €
125 mm	LZW1-S-125	112 €
150 mm	LZW1-S-150	115 €

**LZW1-A bearings**

25 mm	LZW1-A-25	128 €
50 mm	LZW1-A-50	131 €
75 mm	LZW1-A-75	134 €
100 mm	LZW1-A-100	137 €
125 mm	LZW1-A-125	139 €
150 mm	LZW1-A-150	142 €

**LZW1-F flange**

25 mm	LZW1-F-25	102 €
50 mm	LZW1-F-50	105 €
75 mm	LZW1-F-75	108 €
100 mm	LZW1-F-100	110 €
125 mm	LZW1-F-125	112 €
150 mm	LZW1-F-150	115 €

**Options and accessories**

3-core PVC cable 1 m	--	standard
3-core PVC cable 10 m	order separately: order code 10M	25 €
2 brackets for LZW1-S	STA074	standard

These data can be changed without any advance notice

**WayCon Positionsmesstechnik GmbH**

e-mail: [info@waycon.de](mailto:info@waycon.de)  
internet: [www.waycon.de](http://www.waycon.de)



**Head Office**

Mehlbeerenstrasse 4  
82024 Taufkirchen  
Tel. +49 (0)89 67 97 13-0  
Fax +49 (0)89 67 97 13-250

**Office Brühl**

Kierberger Str. 24  
50321 Brühl  
Tel. +49 (0)2232 567944  
Fax +49 (0)2232 567945