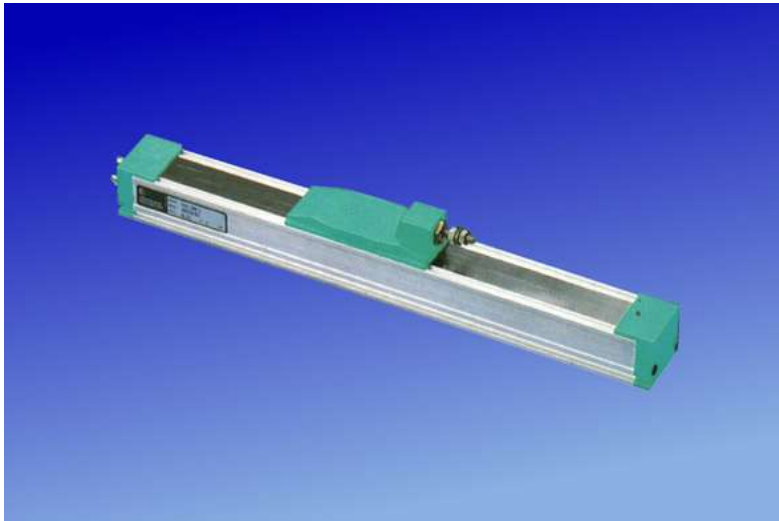


LINEARPOTI

Linearpotentiometer, sledge type



Series LSW

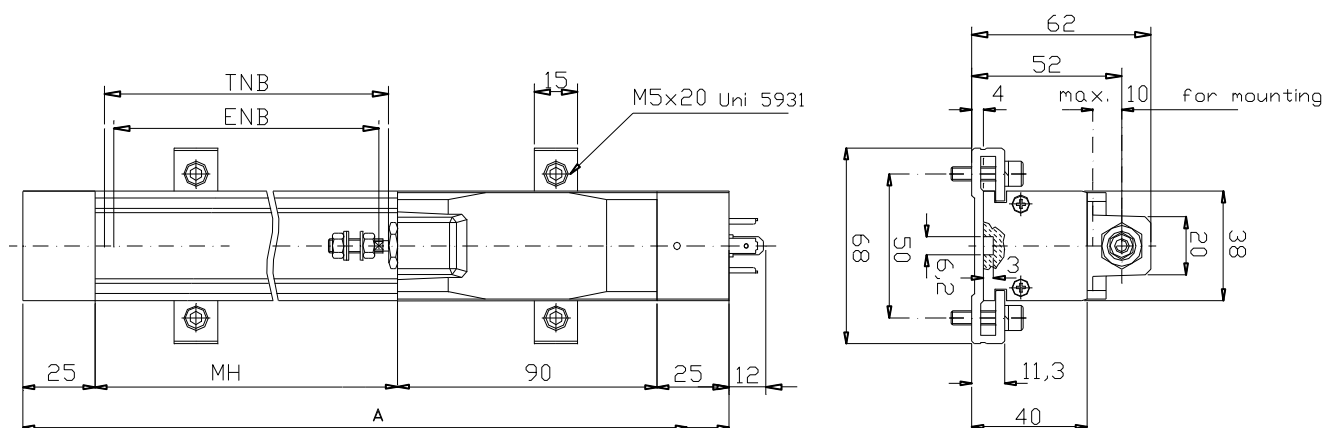
- **Rectangular case, sledge thread M5**
- **Messbereiche 100 - 2000 mm**
- **Protection IP 40**
- **Displacement speed < 10 m/s**
- **Linearity $\pm 0,05\%$**
- **Infinite resolution**
- **Working temperature -30...+100°C**
- **Lifetime >25x10⁶ Meter
or >100x10⁶ Hübe**
- **Electrical Connection**
4-pin connector according DIN 43650-ISO4400
5-pin circular connector

Technical Data

| | | | |
|-----------------------------------|---|--|--------------------------------------|
| Range | 100/130/150/200/275/300/400/450/500/600/750/900/1000/1250/1500/1750/2000 mm | | |
| Protection | IP40 | Max. supply voltage | 60 V |
| Displacement speed | <10 m/s standard | Temp. Coeff. of the resistance | -200 ±200 ppm/°C |
| Displacement force | <1,2 | Eff. Temp. Coeff. Of output voltage | <1,5 ppm/°C |
| Linearity | ±0,1% from 100 to 400 ±0,05% from 450 to 2000 | Electrical isolation | >100 MOhm at 500 V |
| Resolution | infinite | Dielectric strength | >500 Veff at 50 Hz |
| Tolerance on resistance | ±20% | Working temperature | -30...+100°C |
| Recommended cursor current | <1 µA | Storage temperature | -50...+120°C |
| Max. cursor current | <10 mA | Cursor block material | Nylon 66 GF 40 |
| Max. Dissipation at 40°C | 3 W | Case material | Anodised aluminium Nylon 66 GF 40 |
| | | Fixing | Brackets |

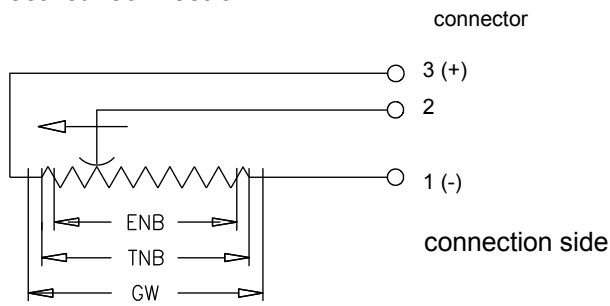
Dimensions and Electrical Data

| | | | | | | | | | | | | | | | | | | | |
|---|------|-----|-----|-----|-----|-----|-----|-----|-----|-----|-----|-----|------|------|------|------|------|------|--|
| range | | 100 | 130 | 150 | 200 | 225 | 300 | 400 | 450 | 500 | 600 | 750 | 900 | 1000 | 1250 | 1500 | 1750 | 2000 | |
| electrical stroke (C.E.U.) +3/-0 | mm | 100 | 130 | 150 | 200 | 225 | 300 | 400 | 450 | 500 | 600 | 750 | 900 | 1000 | 1250 | 1500 | 1750 | 2000 | |
| theoretical electr. stroke (C.E.T.) ±1 | mm | 103 | 133 | 153 | 204 | 229 | 305 | 406 | 458 | 509 | 611 | 763 | 915 | 1017 | 1271 | 1521 | 1771 | 2021 | |
| resistance (C.E.T.) | kOhm | 5 | | | | | | 10 | | | | | | 20 | | | | | |
| Mechanical stroke (C.M.) | mm | 113 | 143 | 163 | 214 | 239 | 315 | 416 | 468 | 519 | 621 | 773 | 925 | 1027 | 1281 | 1531 | 1781 | 2031 | |
| Case length (A) | mm | 253 | 283 | 303 | 354 | 379 | 455 | 556 | 608 | 659 | 761 | 913 | 1065 | 1167 | 1421 | 1671 | 1921 | 2171 | |

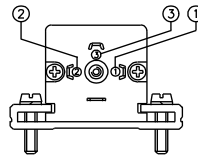


Connection and Accessories

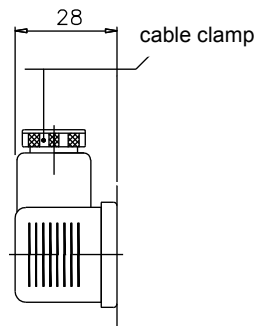
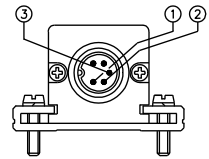
Electrical connection



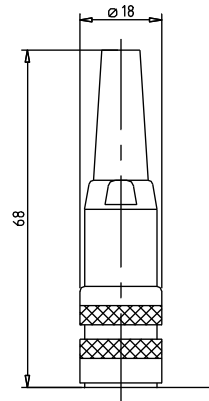
Output LSW-M



Output LSW-B

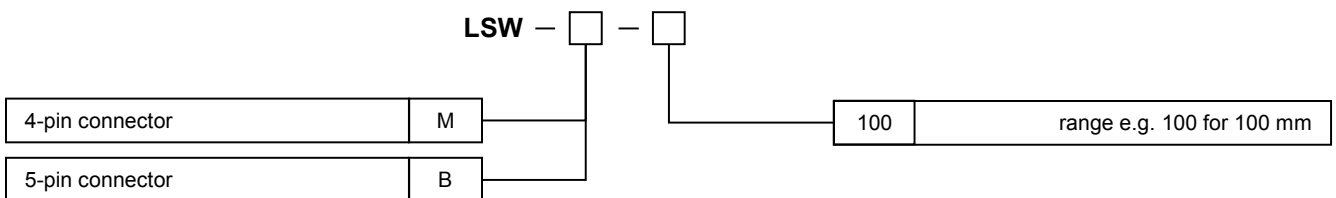


CON006
connector IP65



CON011
connector IP40

Order Code



Price List

| | | |
|---------|------------|--------|
| 100 mm | LSW-M- 100 | 150 € |
| 130 mm | LSW-M- 130 | 155 € |
| 150 mm | LSW-M- 150 | 161 € |
| 200 mm | LSW-M- 200 | 166 € |
| 225 mm | LSW-M- 225 | 172 € |
| 300 mm | LSW-M- 300 | 178 € |
| 400 mm | LSW-M- 400 | 188 € |
| 450 mm | LSW-M- 450 | 198 € |
| 500 mm | LSW-M- 500 | 204 € |
| 600 mm | LSW-M- 600 | 210 € |
| 750 mm | LSW-M- 750 | 236 € |
| 900 mm | LSW-M- 900 | 258 € |
| 1000 mm | LSW-M-1000 | 398 € |
| 1250 mm | LSW-M-1250 | 450 € |
| 1500 mm | LSW-M-1500 | 494 € |
| 1750 mm | LSW-M-1750 | 940 € |
| 2000 mm | LSW-M-2000 | 1062 € |

Optional

| | | |
|------------------------------------|-------------|----------|
| 4-pin connector DIN 43650-ISO4400 | LSW-M-XXX-X | standard |
| 5-pin connector output | LSW-B-XXX-X | 24 € |
| 5-pin connector range 1750-2000 mm | LSW-B-XXX-X | 51 € |

Accessories

| | | |
|---|---------|----------|
| Fixing kit for LSW from 100-900: 2 brackets, screws, lock-washer | PKIT010 | standard |
| Fixing kit for LSW from 1000-2000: 3 brackets, screws, lock-washer | PKIT011 | standard |
| connector 4-pin IP 65 | CON006 | 7 € |
| connector 5-pin IP 40 | CON011 | 10 € |

These data can be changed without any advance notice

WayCon Positionsmesstechnik GmbH

e-mail: info@waycon.de
internet: www.waycon.de

WayCon
Positionsmesstechnik

Head Office

Mehlbeerenstrasse 4
82024 Taufkirchen
Tel. +49 (0)89 67 97 13-0
Fax +49 (0)89 67 97 13-250

Office Brühl

Kierberger Str. 24
50321 Brühl
Tel. +49 (0)2232 567944
Fax +49 (0)2232 567945