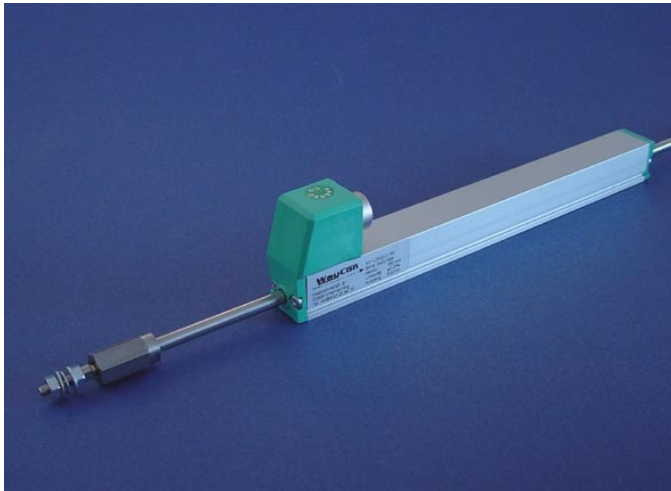


# LINEARPOTI

## **Linearpotentiometer, Rectangular Housing**



### **Series LRW1**

- **Rectangular Displacement Transducer, Thread: M4**
- **Range 25 - 150 mm**
- **Protection IP 40**
- **Displacement speed <math><10\text{ m/s}</math>**
- **Linearity up to  $\pm 0,05\%$**
- **Infinite resolution**
- **Working temperature  $-30\dots+100^{\circ}\text{C}$**
- **Lifetime  $>100 \times 10^6$  cycles**
- **Electrical Connection**  
**3-core shielded cable**  
**5-pin circular connector**

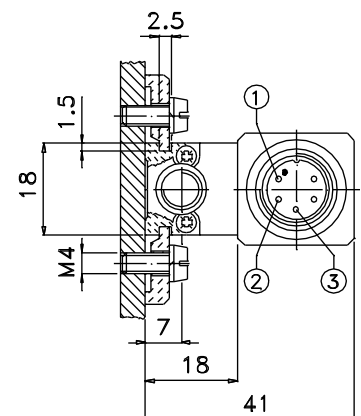
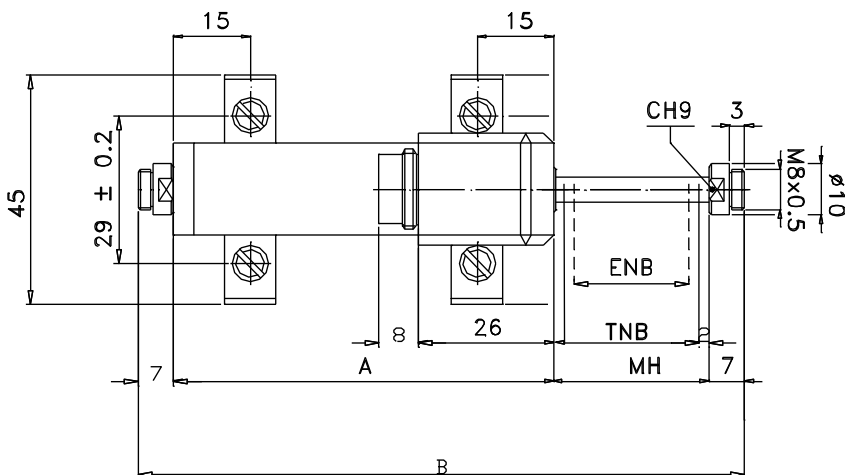
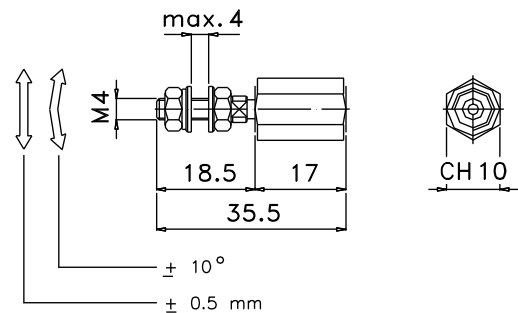
## Technical Data

<b>Range</b>	25/50/75/100/150 mm	<b>Max. supply voltage</b>	see table
<b>Protection</b>	IP 40	<b>Temp. Coeff. of the resistance</b>	-200 ±200 ppm/°C
<b>Displacement speed</b>	<10 m/s	<b>Eff. Temp. Coeff. Of output voltage</b>	<1,5 ppm/°C
<b>Displacement force</b>	<0,3 N	<b>Electrical isolation</b>	>100 MOhm at 500 V
<b>Linearity</b>	see table	<b>Dielectric strength</b>	>500 Veff at 50 Hz
<b>Resolution</b>	infinite	<b>Working temperature</b>	-30...+100°C
<b>Tolerance on resistance</b>	±20%	<b>Storage temperature</b>	-50...+120°C
<b>Recommended cursor current</b>	<1 µA	<b>Rod material</b>	Stainless steel AISI 431
<b>Max. cursor current</b>	<10 mA	<b>Case material</b>	Anodised aluminium Nylon 66 GF 40
<b>Max. Dissipation at 40°C</b>	see table	<b>Fixing</b>	adjustable brackets

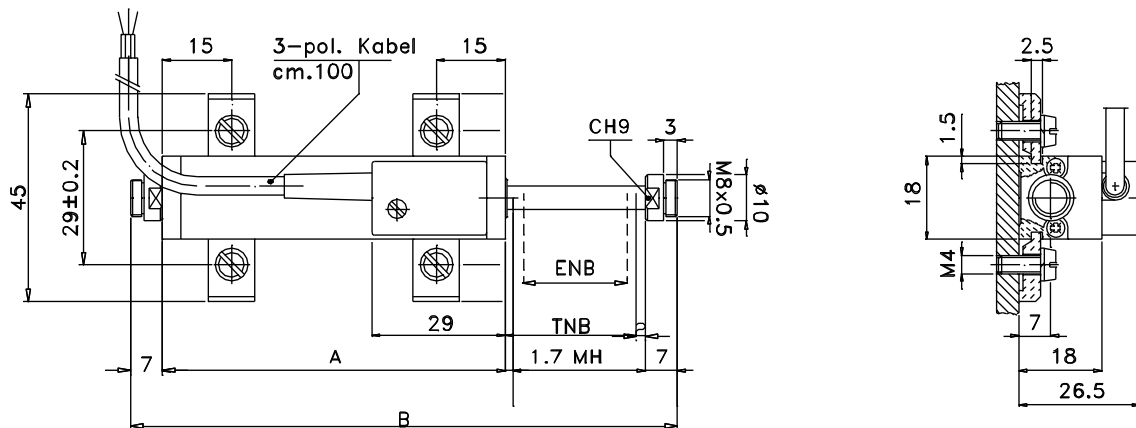
## Dimensions and Electrical Data

range		25	50	75	100	150
electrical stroke (ENB) +1/-0	mm	25	50	75	100	150
theoretical electrical stroke (TNB) ±1	mm	ENB + 1				
resistance	kOhm	1	5	5	5	5
linearity (in ENB)	±%	0,2	0,1	0,1	0,1	0,05
dissipation at 40°C (0 W at 120°C)	W	0,6	1,2	1,8	2,5	3,6
max. supply voltage	V	25	60			
mecanical stroke (MH)	mm	ENB + 5				
case length (A)	mm	ENB + 38				
total length (B)	mm	107	157	207	257	357

Bearing coupling PKIT020

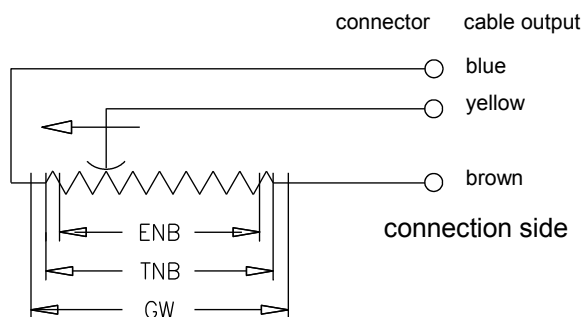


## Dimensions

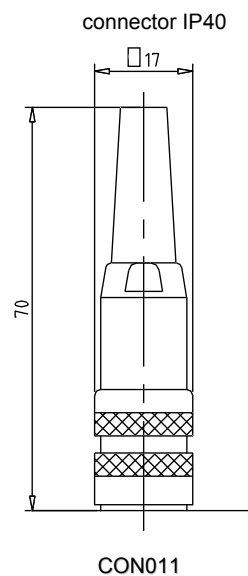


## Connection and Accessories

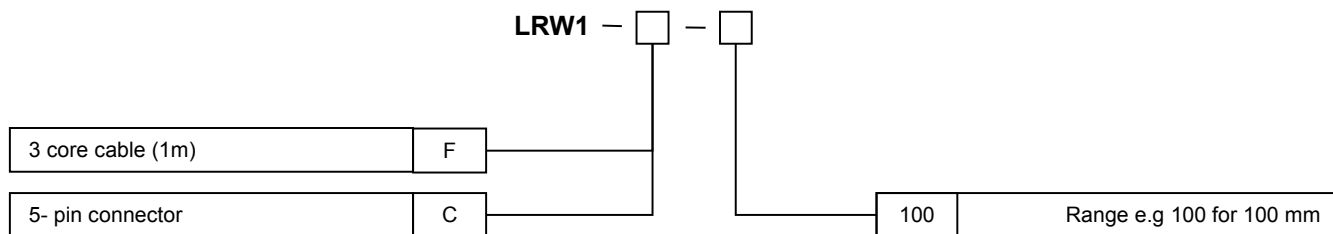
### Electrical connection



### Accessories



## Order Code



**Price List**

**LRW1-F cable output**

25 mm	LRW1-F- 25-S	126 €
50 mm	LRW1-F- 50-S	128 €
75 mm	LRW1-F- 75-S	131 €
100 mm	LRW1-F-100-S	137 €
150 mm	LRW1-F-150-S	139 €

**LRW1-C 5-pin connector**

25 mm	LRW1-C- 25	
50 mm	LRW1-C- 50	
75 mm	LRW1-C- 75	115 €
100 mm	LRW1-C-100	120 €
150 mm	LRW1-C-150	124 €
		126 €
		128 €

**Options and Accessories**

3 core cable, PVC per additional meter	to be specified	4 € 10 €
5-pin connector IP 40	CON011	standard
Mount Accessories 4 Brackets, M4X10, screws, fixing rings	PKIT005	standard
Bearing coupling	PKIT020	

These data can be changed without any advance notice

**WayCon Positionsmesstechnik GmbH**

e-mail: [info@waycon.de](mailto:info@waycon.de)  
internet: [www.waycon.de](http://www.waycon.de)

**WayCon**  
Positionsmesstechnik

**Head Office**

Mehlbeerenstrasse 4  
82024 Taufkirchen  
Tel. +49 (0)89 67 97 13-0  
Fax +49 (0)89 67 97 13-250

**Office Brühl**

Kierberger Str. 24  
50321 Brühl  
Tel. +49 (0)2232 567944  
Fax +49 (0)2232 567945