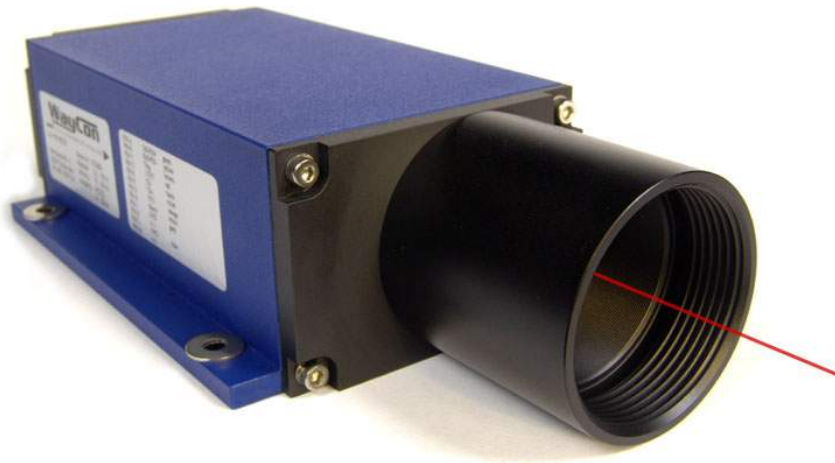


Lasersensor

Laser-Position-Transducer

Series LLD

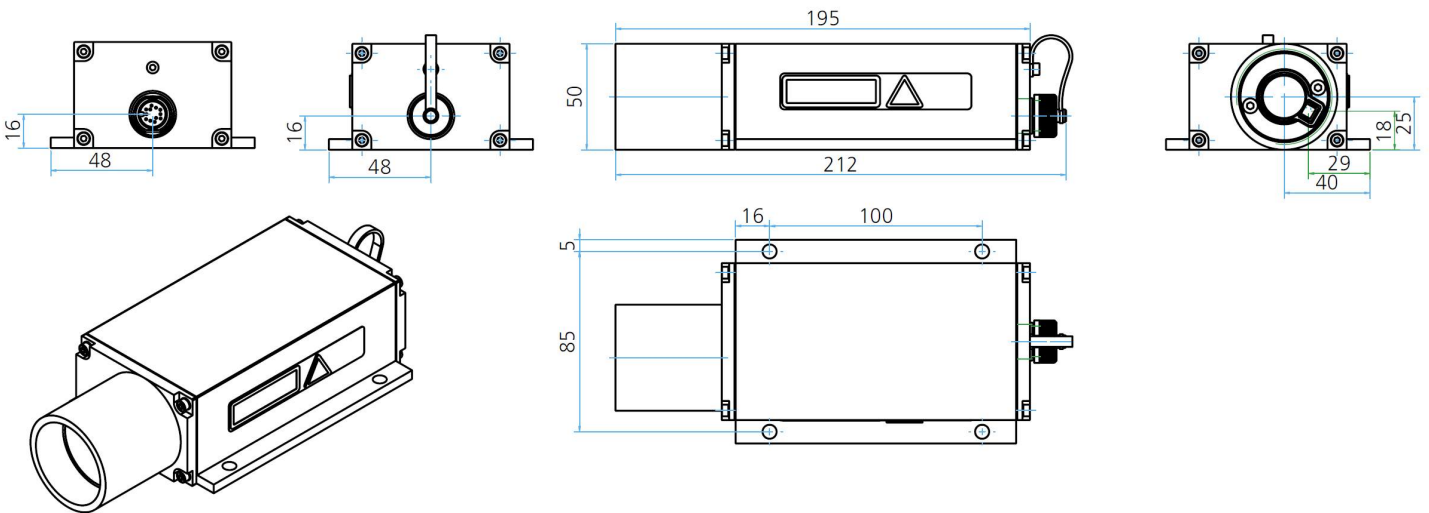


- **measurement range 0,1...150 m**
- **resolution: 0,1mm**
- **repeatability: $\pm 0,5$ mm**
- **measuring accuracy: ± 3 mm**
- **Operating temperature max. $-40^{\circ}\text{C}...+50^{\circ}\text{C}$**
- **output: 4...20 mA, RS232, RS422, Profibus**
- **digital switch output adjustable**
- **protection class IP 65**
- **measuring frequencies 50/10 Hz**
- **exact alignment of laser by the visible measuring beam**
- **below 30 meters no reflector necessary**
- **safe operation mode with laser class 2**
- **applications: high rack stores, garage systems, cranes ect.**

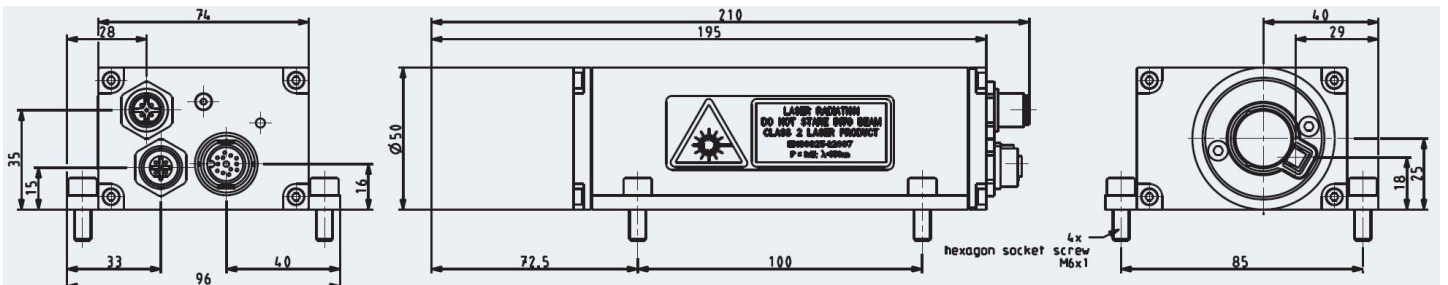
Technische Daten

Measuring range	0,1 ... 30 m on natural surfaces on targeted board up to max. 150m Depending on targeted reflectivity, stay light effects and atmospheric conditions	Measuring frequency	50/10 Hz
Supply voltage:	10...30 Vdc	Output rates (max.)	0,16 until 6s by, 10 Hz, 20ms by 50Hz
Analogue output	4...20mA (über RS232/RS422 adjustable)	Transfer rates RS.	2,4/ 4,8 / 9,6 /19,2/38,4 kbaud
Wavelength	650 nm (red)	Switching output	max. 0,5A
Laser class	2, ≤1mW	Triggerinput	Trigger puls 24V
Interfaces	RS 232 oder RS 422	Connectors:	12-pole (RS232, RS485) + 5-pole M12 (Profibus)
Resolution	max. ±0,1 mm	Protection class	IP65
Reproducibility	±0,5 mm	Storage temperature	-40 °C ... +70 °C
Accuracy	±3 mm (+15...+30°C) ±5 mm (-10...+50°C)	Operating temperature	-10...+50°C Resistance ≤500 Ohm Typ: H with heating -40...+50°C

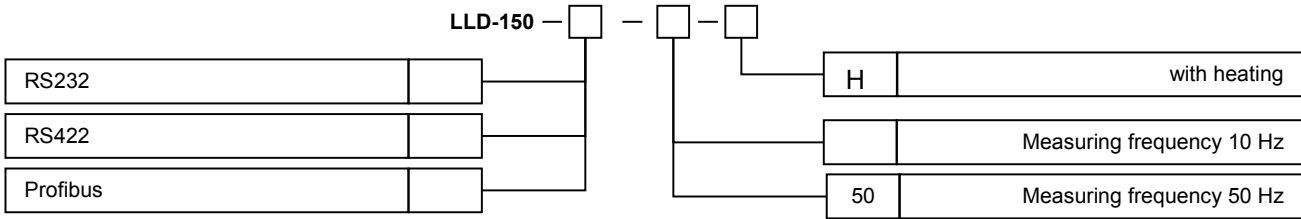
LLD RS232 und RS485



LLD-Profibus



Bestellcode



Option H
KAB-LLD-2M
KAB-LLD-5M
KAB-LLD-2M-PROF

Heating -40°-+50°C
Interface Kabel 2m
Interface Kabel 5m
Interface Kabel 2m

We reserve the right to alter the specification without prior notice

WayCon Positionsmesstechnik GmbH

e-mail: info@waycon.de
internet: www.waycon.de

Head Office

Mehlbeerenstr. 4
82024 Taufkirchen
Tel. +49 (0)89 67 97 13-0
Fax +49 (0)89 67 97 13-250

Office Köln

Auf der Pehle 1
50321 Brühl
Tel. +49 (0)2232 567944
Fax +49 (0)2232 567945